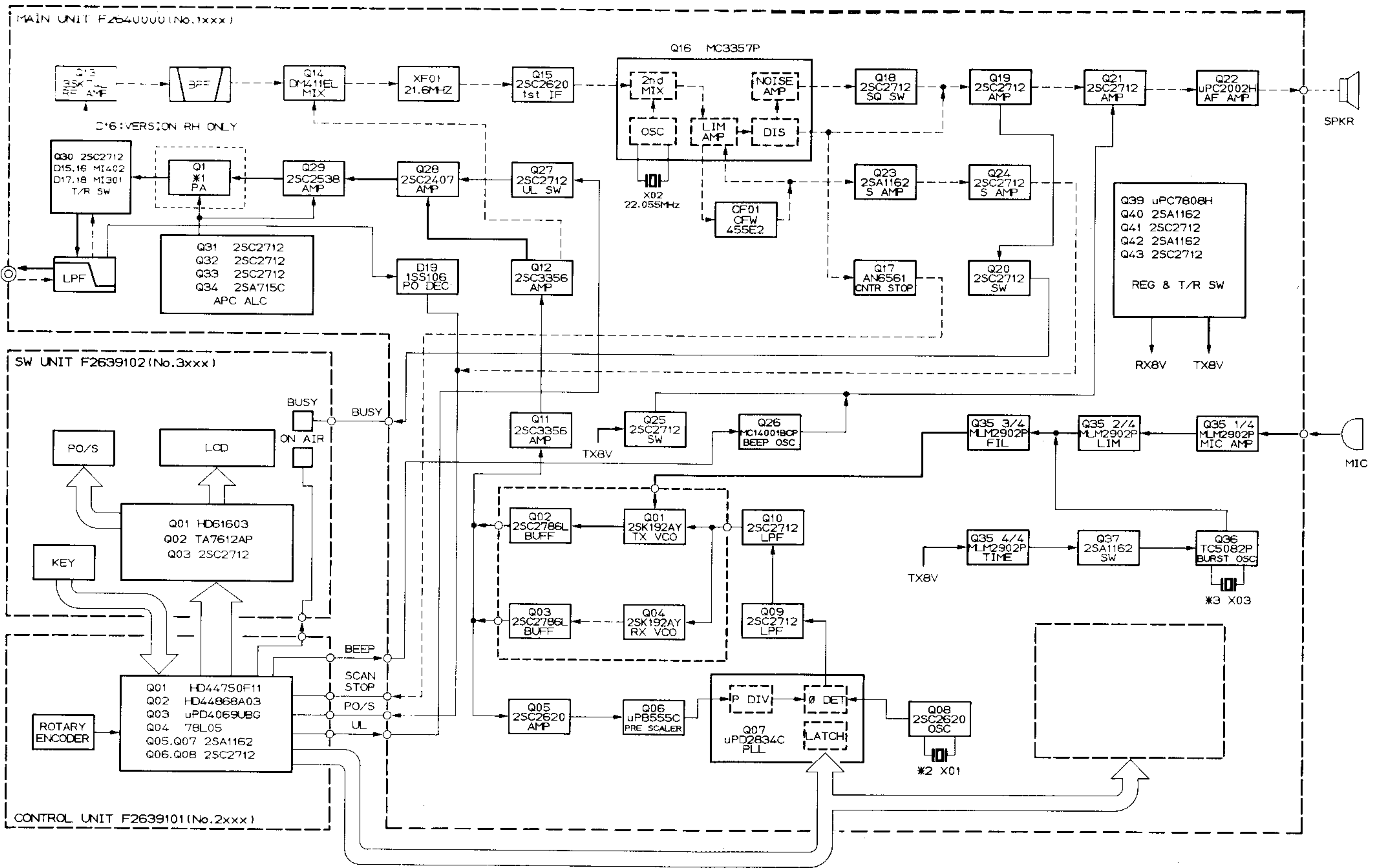


Downloaded by
RadioAmateur.EU

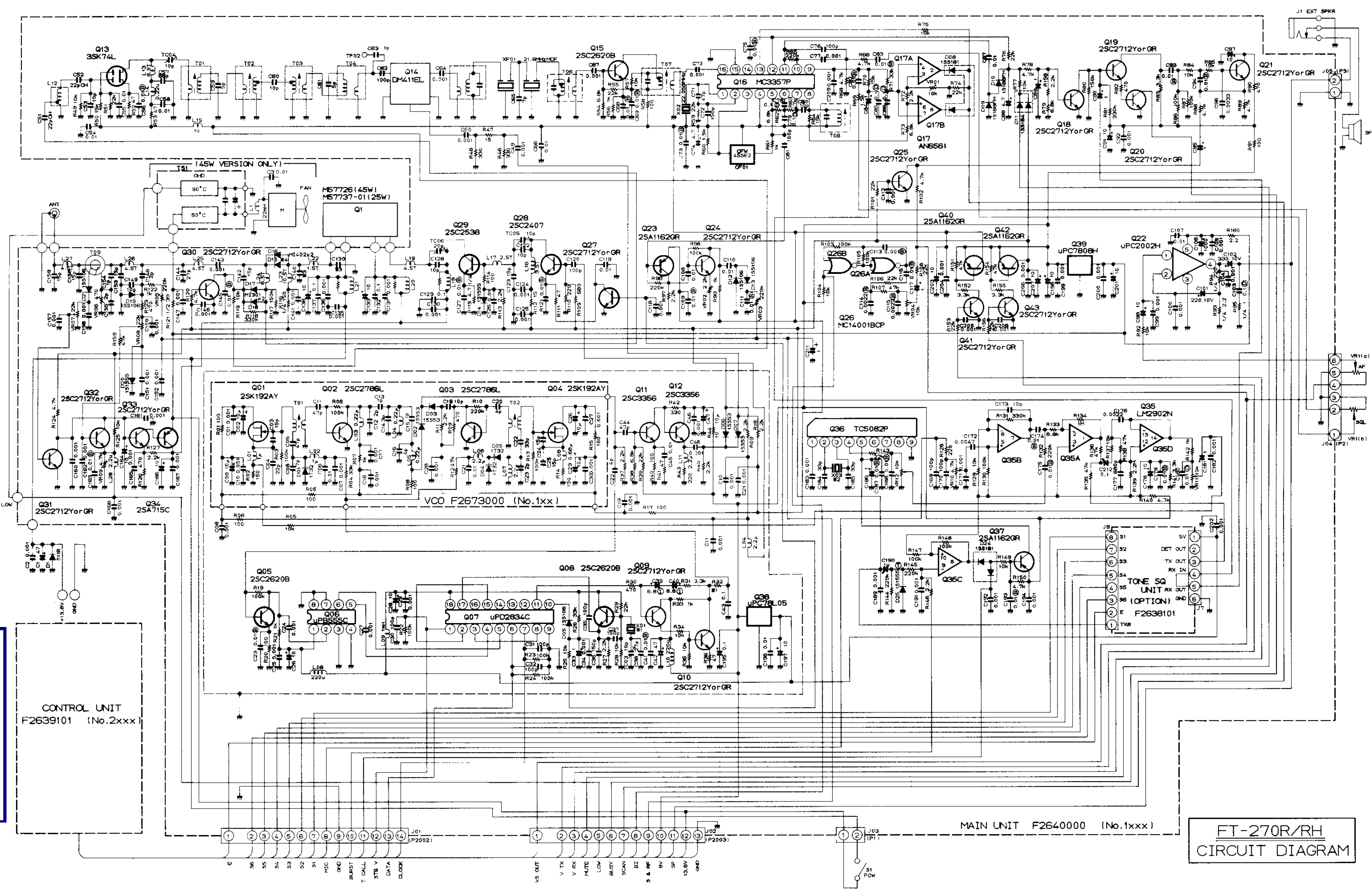


*1		*2		*3	
Q1	X01	A	X03	A	X03
25W M57737	A,D,E 5.120MHz	(1180Hz)	7.3728MHz	(1180Hz)	7.3728MHz
45W M57726	B,C,G 12.80MHz	B,C,D,E (1750Hz)	7.168MHz	B,C,D,E (1750Hz)	7.168MHz
	F 10.24MHz				

→ COMMON LINE
 → RX LINE
 → TX LINE

FT-270R/RH
BLOCK DIAGRAM

Downloaded by
RadioAmateur.EU



*1

	X01	R32
A D	5.120MHz	33k
B C E	12.80MHz	15k

*2

	X03
A	(1800MHz) 7.3728MHz
B C D E	(1750MHz) 7.168MHz

*3

	25W	45W
C199		
C140	27p	

*4 25W VERSION DIS ONLY

FT-270R/RH
CIRCUIT DIAGRAM